

# SW 300

## Compact Powered Subwoofer

*Congratulations on your purchase. We trust that you will enjoy the value and quality of your AudioSource SW 300 Compact Powered Subwoofer. Please take a few moments to read this manual before you get started. Also, be sure to retain this document should you need to refer to it in the future.*

### ABOUT SUBWOOFERS

Subwoofers are designed to extend the bass response of your system beyond the limitations of most speakers. They are used in conjunction with, not in place of, your existing left and right speakers. A subwoofer can dramatically enhance a stereo TV, a stereo system, or a full fledged home theater.

### FEATURES OF THE SW 300

The AudioSource SW 300 features a highly efficient ported enclosure, a rugged 6.5-inch reinforced driver and a fifty-watt amplifier with a passive low frequency crossover network. Line level inputs and speaker inputs and outputs are provided for fast and easy connection to virtually any system.

### USING THE CONTROLS

#### Power

The power switch has two positions: off and on. When the power LED is lit, the power is on.

#### Level

The level control adjusts the volume of the SW 300. Once set, the level control should not require further adjustment. Begin with the level control at the minimum position. Slowly increase the level until you can hear the subwoofer. A subwoofer playing too loud can give your system a muddy sound, so be sure to balance the subwoofer carefully with your other speakers.

*Note: Output level is relative and can be different from location to location. Always return to the normal listening location to evaluate any setting changes.*

### PLACEMENT GUIDELINES

Prior to installing your new subwoofer, please consider the following guidelines. Placing the subwoofer near a wall or in a corner will greatly increase its bass response. As frequencies reproduced by subwoofers are long and need room to propagate, a subwoofer placed near the listening position will not sound as full as one placed farther away. Please be careful about placing anything directly on top of your subwoofer, as the vibrations of the speaker cabinet could cause these items to shake loose or fall.

### CONNECTING THE SW 300

The following diagrams show three of the most common types of subwoofer connections. If you have a choice of connection options, remember that it may be easier to run long distances with RCA-type connectors than with speaker wire. Also, use only the AC adapter provided with this unit.

#### Speaker/Hi Level Inputs and Outputs

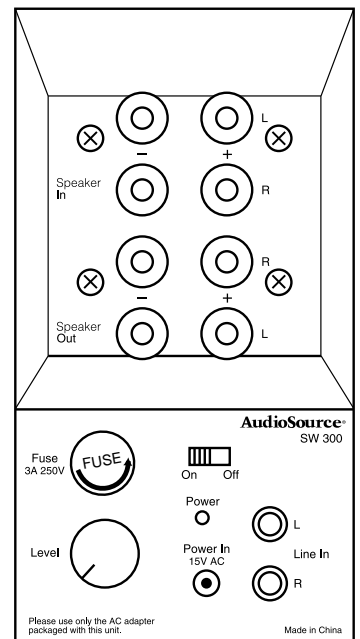
The inputs are designed to accept an amplified signal from the speaker outputs of a receiver, power amp, television or other device not equipped with line level outputs. The speaker outputs are meant to connect to the inputs of your main left and right speakers. These are only used when the speaker inputs of the SW 300 are utilized.

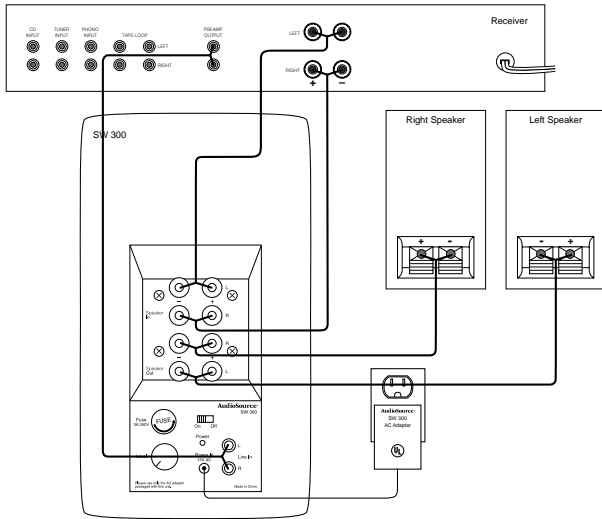
#### Line In

The RCA-type jacks of your SW 300 are designed to accept a line level signal from a receiver, pre-amp, surround sound decoder, television or similar device. When using a single line level output from another unit, a Y connector should be used to send the signal to both the left and right inputs.

*Please note that only one of these connection options should be used at any one time.*

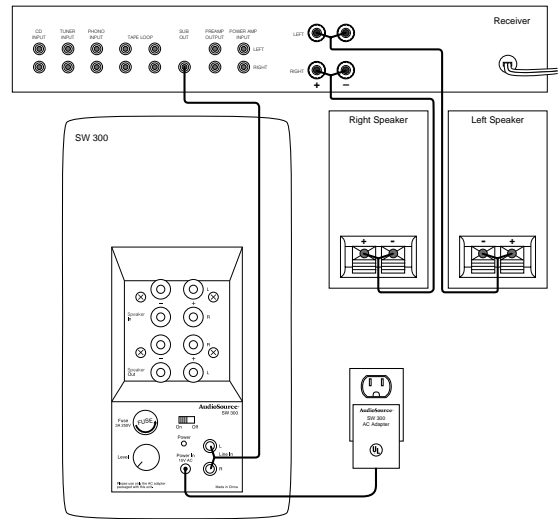
*Note: If any part of this product is damaged or missing contact your AudioSource dealer or call us directly at 800-435-7115.*





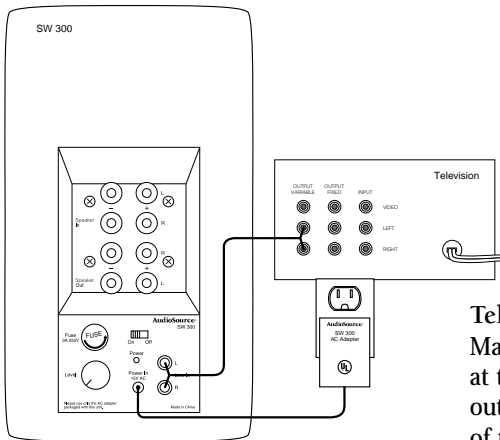
**Hi Level Connections**

In this example, the receiver has no subwoofer output. The SW 300 is connected between the front speakers and the receiver via the speaker inputs and outputs.



**Dedicated Subwoofer Connections**

Many surround sound decoders, home theater processors and audio/video receivers are equipped with a dedicated subwoofer line output. Connect this line output to the line inputs of the SW 300. A Y connector may be necessary to feed this single output to both the left and the right line inputs.



**Television Enhancement**

Many newer television sets are equipped with variable stereo outputs. The signal available at these outputs varies with the television volume. In this situation, these variable audio outputs can be connected directly to the SW 300 line inputs to enhance the bass response of the television's built-in speakers.

This manual provides detailed instructions for setting up your equipment. We also offer friendly, toll-free assistance.

**1.800.HELP.115**

**SW 300 Specifications**

Amplifier Power Output	..... 50 Watts	Inputs	..... Hi Level (Speaker), Line (RCA)
Frequency Response	..... 38 Hz to 150 Hz	Output	..... Hi Level (Speaker)
Driver	..... 6.5" Reinforced	Dimensions	..... 13.75" H x 8.125" W x 8.125" D
Functions	..... Power (On, Off)	Weight	..... 11 lbs.

Designs and specifications are subject to change without notice.



9300 North Decatur  
 Portland, Or. 97203  
 Tel. 503.286.9300  
 Fax 503.978.3302  
 Audiosource@phoenixgold.com  
 www.audiosource.net

Printed in China  
 © 1999 AudioSource, Inc.

## Safety Instructions



**Warning:** To reduce the risk of fire or electric shock, do not expose this appliance to rain or moisture.

**Caution:** To reduce the risk of electric shock, do not remove cover (or back); no user serviceable parts inside. Refer servicing to qualified service personnel.

**Caution:** To prevent electric shock, match wide blade of plug to wide slot, fully insert.

**Attention:** Pour éviter les chocs électriques, introduire la lame la plus large de la fiche dans la borne correspondante de la prise et pousser jusqu'au fond.

*The lightning flash with arrowhead symbol, within an equilateral triangle, is intended to alert the user to the presence of uninsulated dangerous voltage within the product's enclosure that may be of sufficient magnitude to constitute a risk of electrical shock to persons. The exclamation point within an equilateral triangle is intended to alert the user to the presence of important operating and maintenance (servicing) instructions in the literature accompanying the appliance.*

### Read Instructions

All the safety and operating instructions should be read before the appliance is operated.

### Retain Instructions

The safety and operating instructions should be adhered to.

### Heed Warnings

All warnings on the appliance and in the operating instructions should be adhered to.

### Follow Instructions

All operating and use instructions should be followed.

### Water and Moisture

The appliance should not be used near water. For example, near a bathtub, washbowl, kitchen sink, laundry tub, in a wet basement, or near a swimming pool, etc.

### Ventilation

The appliance should be situated so that its location or position does not interfere with its proper ventilation. For example, the appliance should not be situated on a bed, sofa, rug, or similar surface that may block the ventilation openings; or, placed in a built-in situation, such as a bookcase or cabinet that may impede the flow of air through the ventilation openings.

### Heat

The appliance should be situated away from heat sources such as radiators, heat registers, stoves, or other appliances (including amplifiers) that produce heat.

### Power Sources

The appliance should be connected to a power supply only of the type described in the operating instructions or as marked on the appliance.

### Grounding or Polarization

Precautions should be taken so that the grounding or polarization means of an appliance is not defeated.

### Power Cord Protection

Power supply cords should be routed so that they are not likely to be walked on or pinched by items placed on or against them, paying particular attention to cords at plugs, convenience receptacles, and the point where they exit from the appliance.

### Cleaning

The unit should be cleaned only as recommended by the manufacturer.

### Power Lines

An outdoor antenna should be located away from power lines.

### Non-Use Periods

The power cord of the appliance should be unplugged from the outlet when left unused for a long period of time.

### Object and Liquid Entry

Care should be taken so that objects do not fall and liquids are not spilled into the enclosure through openings.

### Damage Requiring Service

The appliance should be serviced by qualified service personnel when:

- The power supply cord or the plug has been damaged;
- Objects have fallen, or liquid has been spilled into the appliance;
- The appliance has been exposed to rain;
- The appliance does not appear to operate normally or exhibits a marked change in performance; or
- The appliance has been dropped, or the enclosure damaged.

### Servicing

The user should not attempt to service the appliance beyond that described in the operating instructions. All other servicing should be referred to qualified service personnel.

### Product Servicing

In the event your SW 300 fails to operate properly, please contact the dealer where you purchased the unit. Or you may contact AudioSource directly for further assistance.